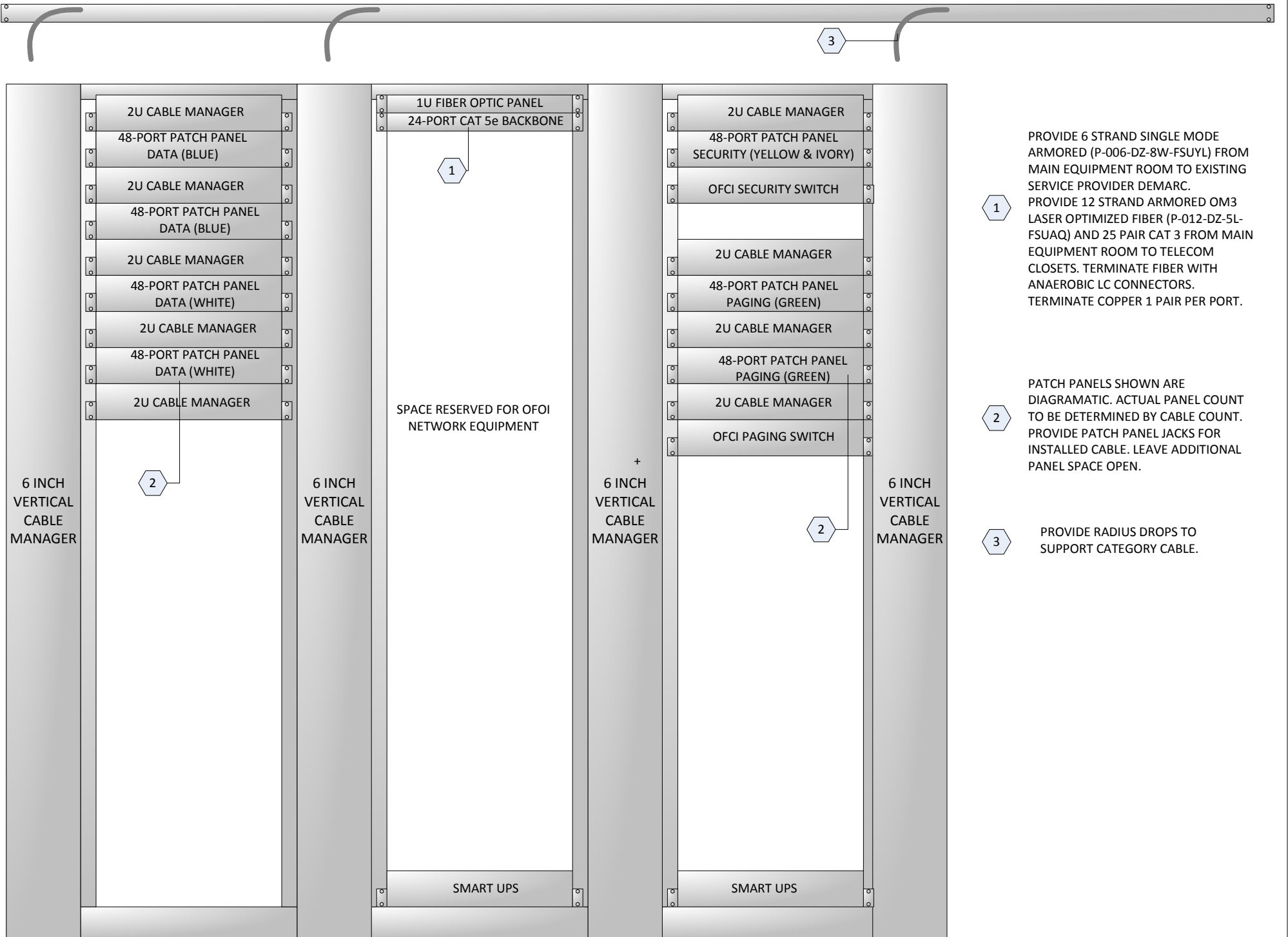


# LITTLETON PUBLIC SCHOOLS TYPICAL IDF RACK ELEVATION 8/30/2014

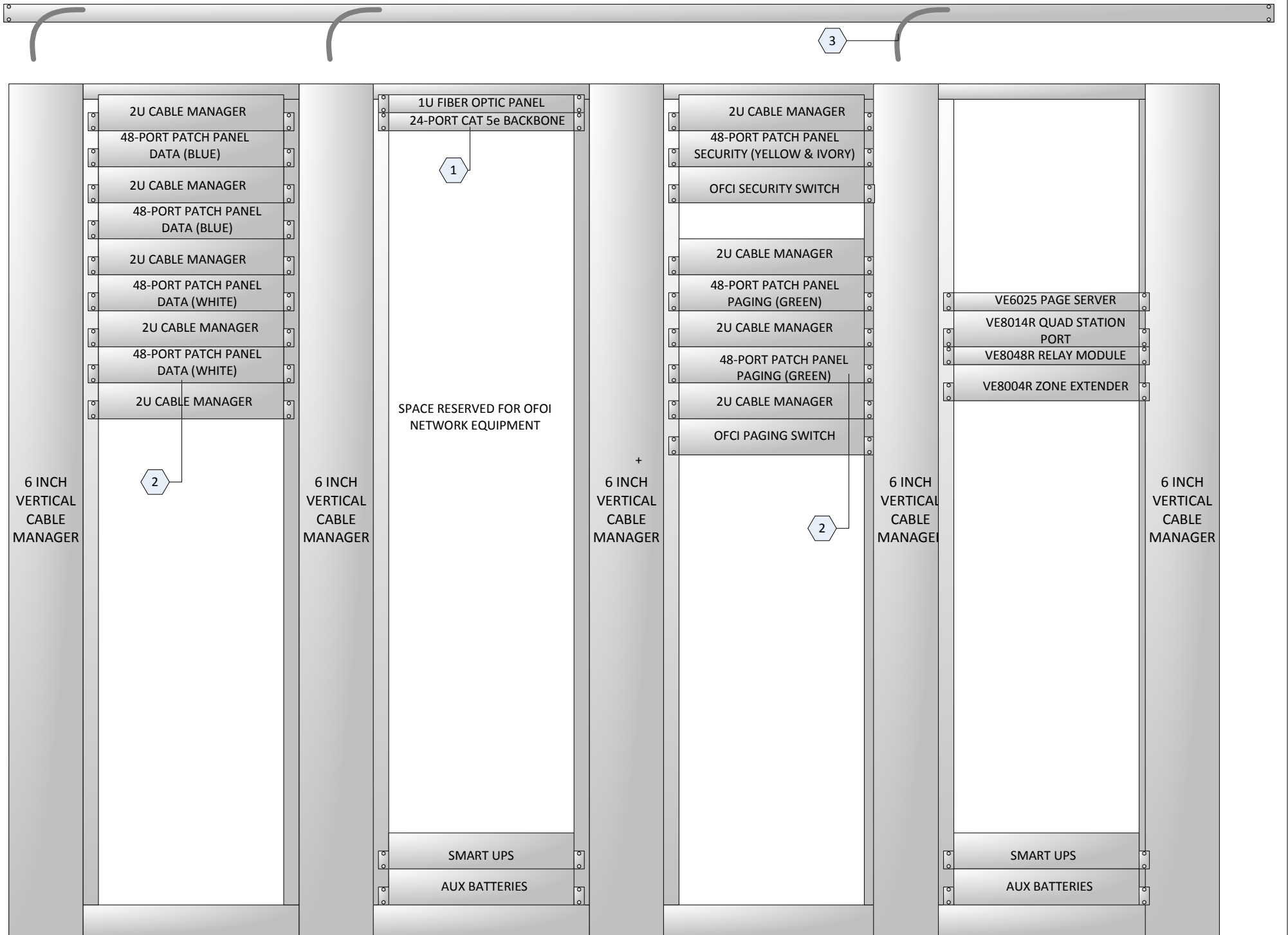


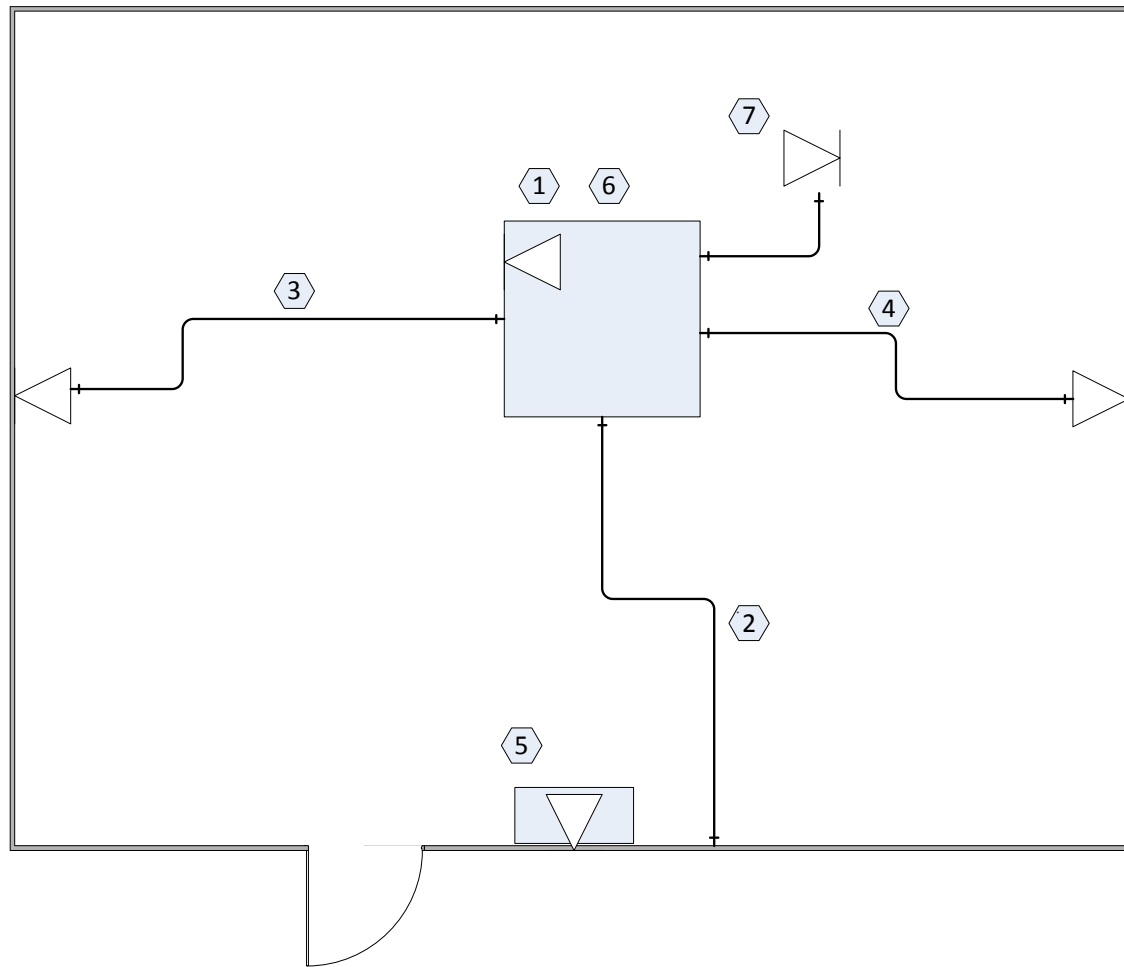
1 PROVIDE 6 STRAND SINGLE MODE ARMORED (P-006-DZ-8W-FSUYL) FROM MAIN EQUIPMENT ROOM TO EXISTING SERVICE PROVIDER DEMARC. PROVIDE 12 STRAND ARMORED OM3 LASER OPTIMIZED FIBER (P-012-DZ-5L-FSUAQ) AND 25 PAIR CAT 3 FROM MAIN EQUIPMENT ROOM TO TELECOM CLOSETS. TERMINATE FIBER WITH ANAEROBIC LC CONNECTORS. TERMINATE COPPER 1 PAIR PER PORT.

2 PATCH PANELS SHOWN ARE DIAGRAMATIC. ACTUAL PANEL COUNT TO BE DETERMINED BY CABLE COUNT. PROVIDE PATCH PANEL JACKS FOR INSTALLED CABLE. LEAVE ADDITIONAL PANEL SPACE OPEN.

3 PROVIDE RADIUS DROPS TO SUPPORT CATEGORY CABLE.

LITTLETON PUBLIC SCHOOLS TYPICAL MDF RACK ELEVATION 8/30/2014





- 1 OBERON 1015-C WIRELESS ACCESS POINT ENCLOSURE. FUNCTIONS AS MOUNTING LOCATION FOR OFOI WIRELESS ACCESS POINT AND AS THE CONDUIT CONSOLIDATION POINT AND CABLE PULL BOX.
- 2 (1) 1" CONDUIT FEEDING FROM HALLWAY TRUNK PATH INTO CLASSROOM. CONDUIT LOCATION SHOWN IS SCHEMATIC. CONDUIT ENTERS ROOM AND ROUTES AS NECESSARY TO ACCOMMODATE LIGHT FIXTURES AND CEILING FEATURES.
- 3 (1) 1" CONDUIT BETWEEN OBERON ENCLOSURE AND TEACHER WORKSTATION. SURFACE MOUNT CONDUIT ON WALL WITH DOUBLE GANG BACK BOX AND DOUBLE GANG FACEPLATE.
- 4 (1) 1" CONDUIT BETWEEN OBERON ENCLOSURE AND WORKSTATION. SURFACE MOUNT CONDUIT ON WALL WITH DOUBLE GANG BACK BOX AND SINGLE GANG FACEPLATE.
- 5 ROUTE CABLE TO SPEAKER/CLOCK COMBO DIRECTLY FROM HALLWAY TRUNK PATH.
- 6 TERMINATE WAP CABLE IN (1) PORT SURFACE BOXES IN OBERON ENCLOSURE.
- 7 STUB (1) 1" CONDUIT FROM OBERON ENCLOSURE TO PROJECTOR LOCATION. COIL CAT 6 CABLE ABOVE PROJECTOR. INSTALL (1) HDMI CABLE BETWEEN PROJECTOR AND TEACHER WORKSTATION OUTLET.

LPS TYPICAL HARDLID CLASSROOM DISTRIBUTION PATHWAY 9/8/14

CRASH BAR POWER  
SUPPLY. 120VAC BY  
EC.

WIRING TO  
NEAREST TR

lockable steel enclosure  
(8"x8"x4") ACCESSIBLE  
CEILING SECURED SIDE

1/2" C (TYP)

DPS

DPS

ELECTRICAL POWER  
TRANSFER

ELECTRIC CRASH  
BAR

DUAL GANG J-BOX WITH  
SINGLE GANG MUD RING  
(VERTICAL) UNSECURED  
SIDE (CARD READER).

PATH OF EGRESS

48"

VERTICAL ROD

SECURE SIDE

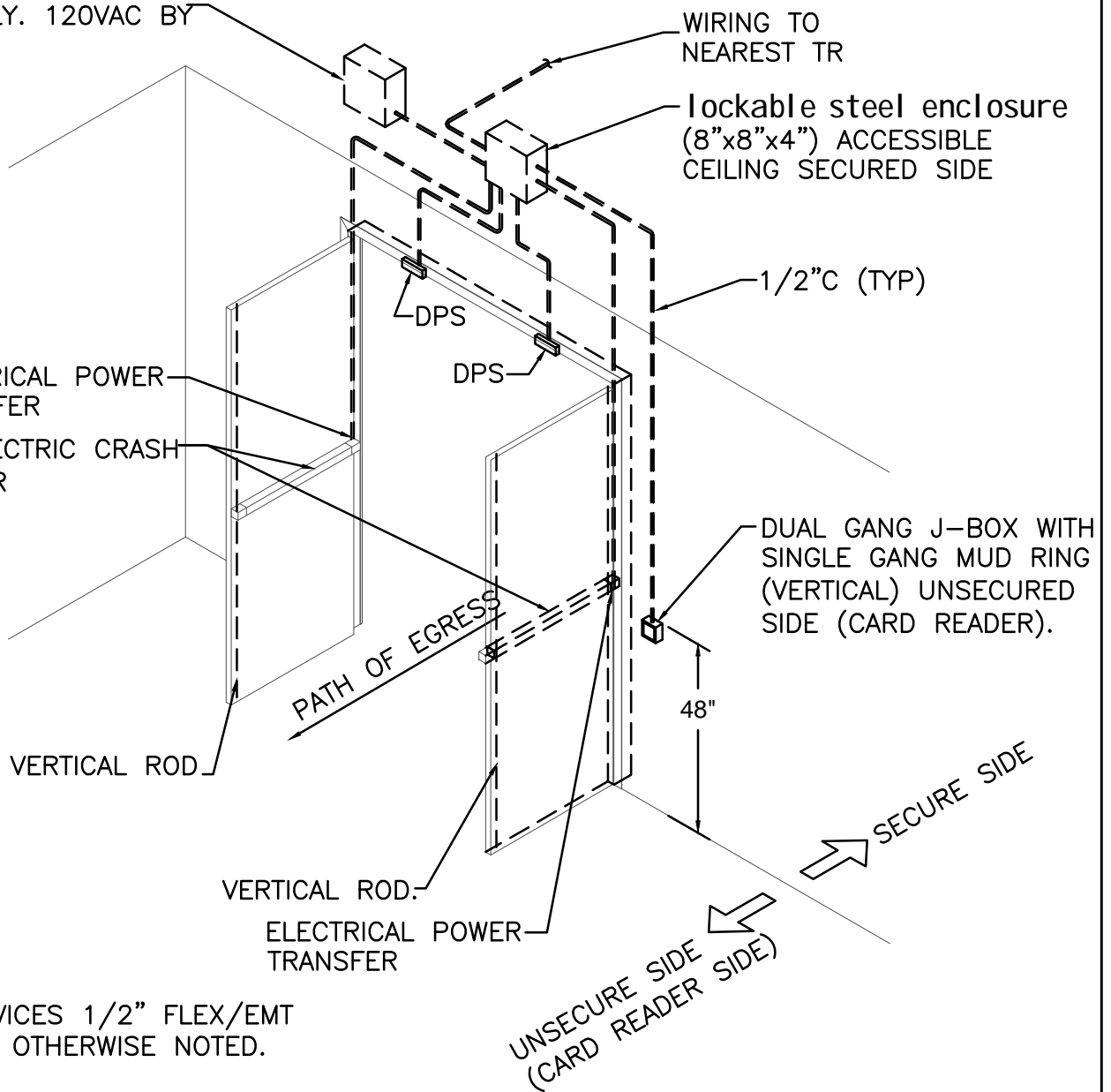
VERTICAL ROD

ELECTRICAL POWER  
TRANSFER

UNSECURE SIDE  
(CARD READER SIDE)

NOTE:  
ALL DEVICES 1/2" FLEX/EMT  
UNLESS OTHERWISE NOTED.

DETAIL: ELECTRIFIED LATCH RETRACTED DOOR  
(DOUBLE)



CRASH BAR POWER  
SUPPLY. 120VAC BY  
EC.

WIRING TO  
NEAREST TR

lockable steel  
enclosure  
(8"x8"x4") ACCESSIBLE  
CEILING SECURED SIDE

1/2"C (TYP)

DPS

ELECTRICAL POWER  
TRANSFER

ELECTRIC CRASH  
BAR

DUAL GANG J-BOX WITH  
SINGLE GANG MUD RING  
(VERTICAL) UNSECURED  
SIDE (CARD READER).

PATH OF EGRESS

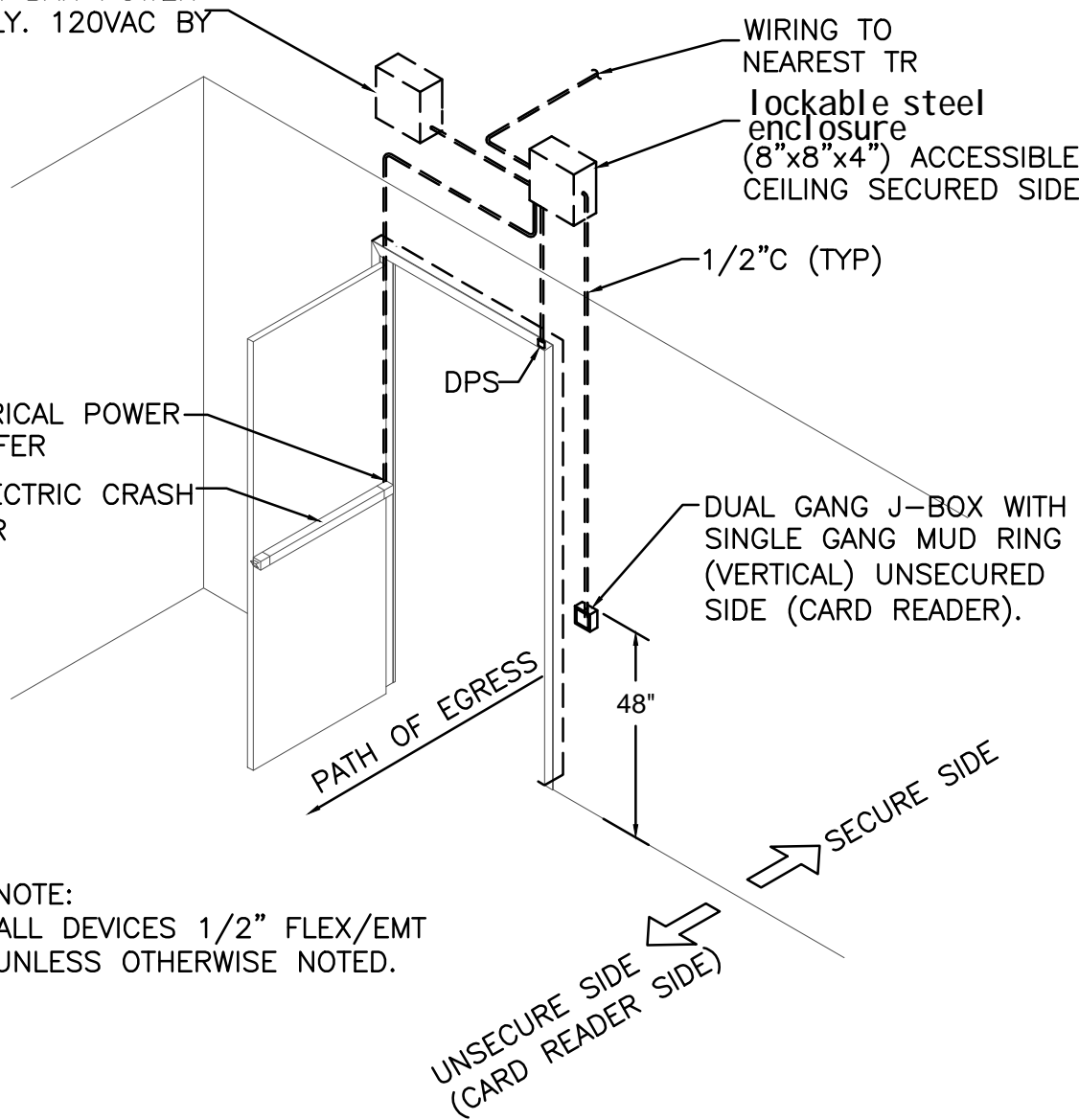
48"

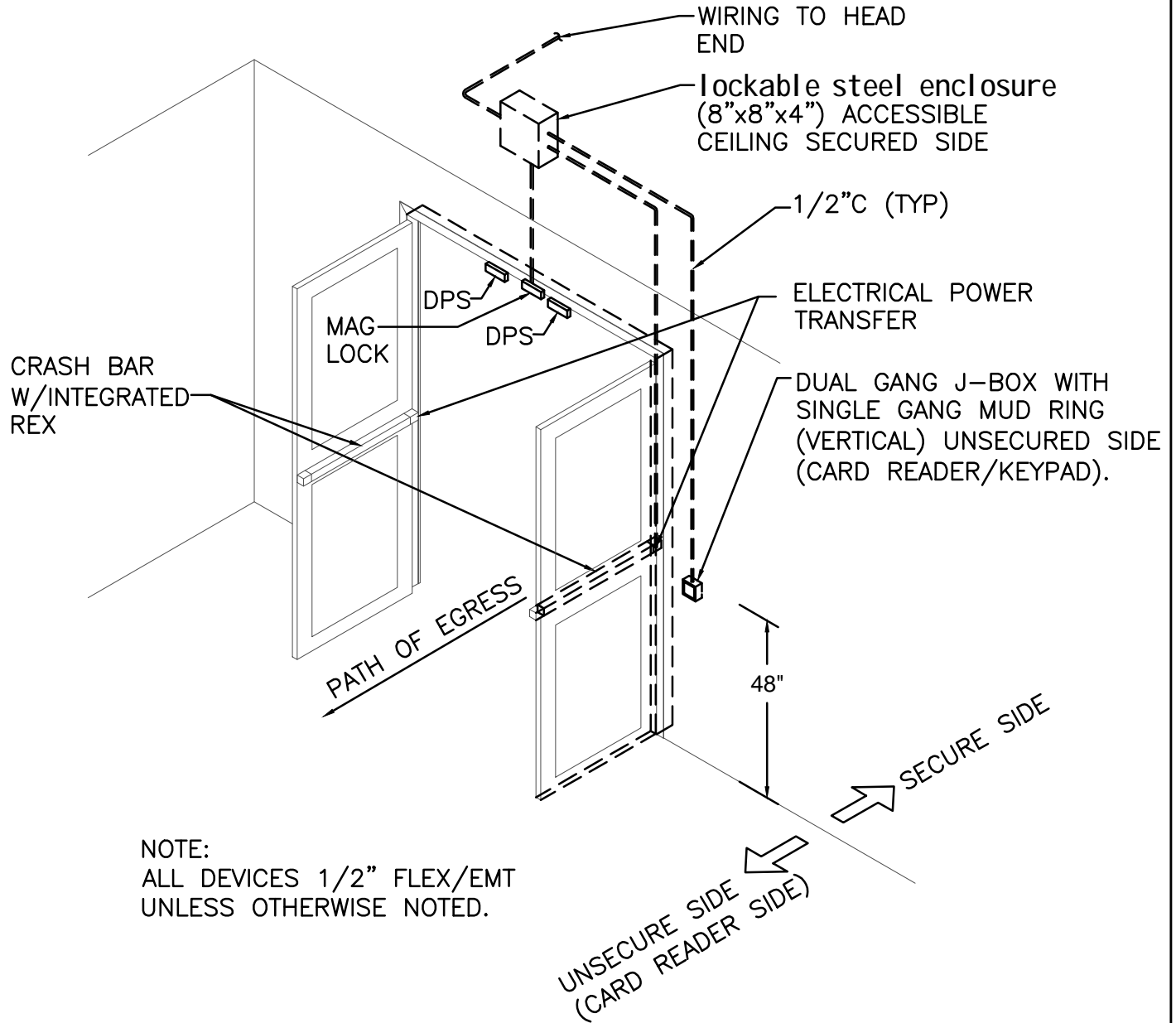
SECURE SIDE

NOTE:  
ALL DEVICES 1/2" FLEX/EMT  
UNLESS OTHERWISE NOTED.

UNSECURE SIDE  
(CARD READER SIDE)

DETAIL: ELECTRIFIED LATCH RETRACTED DOOR  
(SINGLE)





DETAIL: ELECTROMAGNETIC LOCKED DOOR